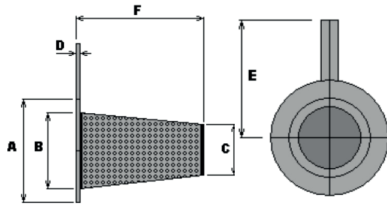


Ancillaries

triogen[®] UV ancillaries compliment recommended models to ensure the highest standards in installation, durability, safety and servicing.

316 STST INLINE STRAINER

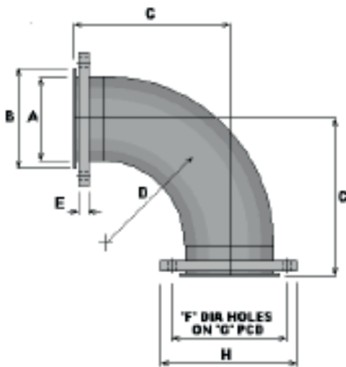


Recommended models:
triogen[®] UV CF, triogen[®] UV SPA

STRAINER MODEL REFERENCE	DIMENSIONS (mm)						IN-OUT (inches)
	A	B	C	D	E	F	
STR2	98	44	31	3	139	63	2
STR3	130	67	50	3	155	91	3
STR4	187	88	63	3	168	117	4
STR6	216	139	101	3	198	168	6
STR8	272	181	142	3	226	218	8
STR10	333	228	184	3	257	257	10
STR12	383	276	225	3	282	307	12
STR14	443	320	257	3	312	333	14
STR16	487	368	298	5	369	358	16

316SS CONSTRUCTION WITH 40 MESH RATING
PRESSURE DROP VALUE ARE CLEAN STRAINER ESTIMATES

316 STST BENDS



Recommended models:
triogen[®] UV CF

BENDS MODEL REFERENCE	BS4504 NP10 (ANSI 150) DIMENSIONS (mm)								IN-OUT (inches)	WEIGHT (kg)
	A	B	C	D	E	F	G	H		
BS BEND3	80	125	204	180	12	18	160	200	3	9
AN BEND3						19	152	191		
BS BEND6	150	212	278	250	12	22	240	285	6	18
AN BEND6							241	279		
BS BEND8	200	268	330	300	12	22	295	340	8	26
AN BEND8							298	343		
BS BEND10	250	320	374	350	15	22	350	395	10	35
AN BEND10							25	362		
BS BEND12	300	370	424	400	19	22	400	445	12	50
AN BEND12							25	432		
BS BEND14	350	430	474	450	22	22	460	505	14	77
AN BEND14							29	476		

BEND AND TAFT END - 316SS INTERNAL WELDS DRESSED SMOOTH
BACKING RINGS - ZINC PLATED MILD STEEL

CONTACT

Triogen Limited
Unit 14 Langlands Place, East Kilbride G75 0YF
Scotland, United Kingdom
Tel: + 44 (0) 13 55 220 598
Fax: + 44 (0) 13 55 570 058
www.triogen.com
info@triogen.com



Your local distributor: