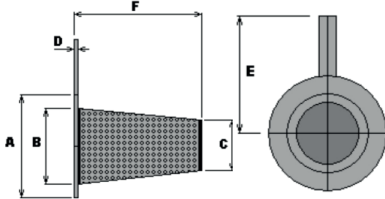


triogen[®] UV ancillaries compliment recommended models to ensure the highest standards in installation, durability, safety and servicing.

316 STST INLINE STRAINER

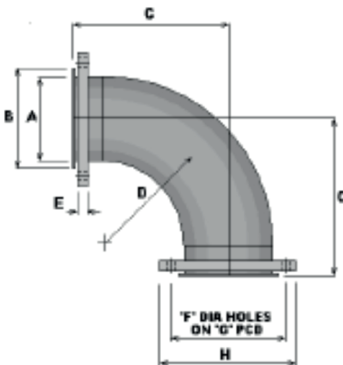


Recommended models:
triogen[®] UV CF, triogen[®] UV U,
triogen[®] UV SPA

STRAINER MODEL REFERENCE	DIMENSIONS (mm)						IN-OUT (inches)
	A	B	C	D	E	F	
STR2	98	44	31	3	139	63	2
STR3	130	67	50	3	155	91	3
STR4	187	88	63	3	168	117	4
STR6	216	139	101	3	198	168	6
STR8	272	181	142	3	226	218	8
STR10	333	228	184	3	257	257	10
STR12	383	276	225	3	282	307	12
STR14	443	320	257	3	312	333	14
STR16	487	368	298	5	369	358	16

316SS CONSTRUCTION WITH 40 MESH RATING
PRESSURE DROP VALUE ARE CLEAN STRAINER ESTIMATES

316 STST BENDS

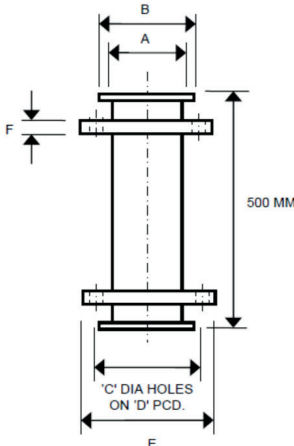


Recommended models:
triogen[®] UV U

BENDS MODEL REFERENCE	BS4504 NP10 (ANSI 150) DIMENSIONS (mm)								IN-OUT (inches)	WEIGHT (kg)
	A	B	C	D	E	F	G	H		
BS BEND3	80	125	204	180	12	18	160	200	3	9
AN BEND3						19	152	191		
BS BEND6	150	212	278	250	12	22	240	285	6	18
AN BEND6						241	279			
BS BEND8	200	268	330	300	12	22	295	340	8	26
AN BEND8						298	343			
BS BEND10	250	320	374	350	15	22	350	395	10	35
AN BEND10						25	362	406		
BS BEND12	300	370	424	400	19	22	400	445	12	50
AN BEND12						25	432	483		
BS BEND14	350	430	474	450	22	22	460	505	14	77
AN BEND14						29	476	533		

BEND AND TAFT END - 316SS INTERNAL WELDS DRESSED SMOOTH
BACKING RINGS - ZINC PLATED MILD STEEL

316 STST SPOOL



Recommended models:
triogen[®] UV U

SPOOL MODEL REFERENCE	BS4504 NP10 (ANSI 150) DIMENSIONS (mm)						IN-OUT (inches)
	A	B	C	D	E	F	
BS SPOOL3	80	125	18	160	200	12	3
AN SPOOL3			19	152	191		
BS SPOOL6	150	212	22	240	285	12	6
AN SPOOL6				241	279		
BS SPOOL8	200	268	22	295	340	12	8
AN SPOOL8				298	343		
BS SPOOL10	250	320	22	350	395	15	10
AN SPOOL10				25	362		
BS SPOOL12	300	370	22	400	445	19	12
AN SPOOL12				25	432		
BS SPOOL14	350	430	22	460	505	22	14
AN SPOOL14				29	476		

BEND AND TAFT END - 316SS INTERNAL WELDS DRESSED SMOOTH
BACKING RINGS - ZINC PLATED MILD STEEL