

**trigen® UV Integra range of UV systems are designed for the disinfection of intake, discharge and recirculating effluents at fish farms and on Well Boats. The trigen® UV Integra system eliminates pathogens with a powerful dose of UV light delivered by strategically placed medium pressure UV lamps.**

## APPLICATIONS

- Aquaculture (Recirculating Aquaculture System RAS, Wellboats, ...)
- Salt and fresh water
- Aquariums

## BENEFITS

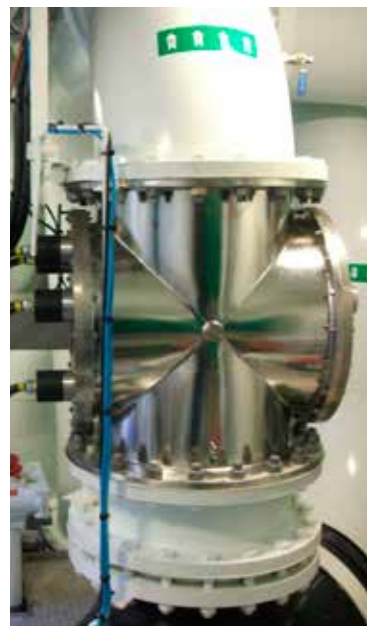
- Suitable for land and sea based facilities
- Effective disinfection including chlorine resistant micro-organisms
- Improves algae control
- Savings in water, energy and chemical consumption
- Low capital and installation costs with minimal service and plant room space required
- Suitable for indoor and outdoor applications
- Highly resistant to corrosion attack

## MAIN FEATURES

- Norwegian Veterinary Institute (NVI) Certified equipment
- Automatic energy adjustment from 30-100% of full power
- Polychromatic 8000 hour medium pressure UV lamp system
- Advanced lamp efficiency and automatic flow pacing
- 316L stainless steel electro polished vessel
- Automatic "Smartdrive" wiper system and UV monitor
- Quick release powerhead for easy lamp replacement
- Touchscreen microprocessor control panel
- Data logging, BMS, ethernet and modbus communication ready
- CE certified, manufactured to ISO 9001: 2008

## UV TECHNOLOGY

Medium pressure polychromatic ultraviolet light (UV) is highly effective at inactivating bacteria and viruses and also for oxidising organic species in water. Ultraviolet disinfection consists of a physical, chemical-free process, attacking the vital DNA of the bacteria and micro organisms directly, including examples such as parasites, Cryptosporidium or Giardia, which are extremely resistant to chemical disinfectants. In addition, it reduces chloramines by a variety of mechanisms. UV technology has advanced to the point where it can easily enhance the disinfection and oxidation of all sorts of applications.



TECHNICAL DATA MODEL	Flow Rates at 90% UVT <sup>(1)</sup>	Flow Rates at 93% UVT <sup>(2)</sup>	Installed electrical power	A	B	C	Flange	Control Panel
	m <sup>3</sup> /h	m <sup>3</sup> /h	kW	mm	mm	mm	mm	L x H x W (mm)
Integra 500	up to 509	up to 935	18	1015	700	670	500	1000 x 1700 x 400
Integra 500 duplex	up to 1018	up to 1860	36	1015	1320	670	500	1200 x 1900 x 400
Integra 900	up to 2106	up to 2525	73	1592	1200	1115	900	800 x 2000 x 800
Integra 1500	up to 878	up to 3400	53	1175	950	780	600	800 x 2000 x 800
Integra 2000	up to 1152	up to 4100	61	1280	1100	895	700	800 x 2000 x 800
Integra 4000	up to 2586	up to 7100	108	1490	1500	1075	700	800 x 2000 x 800

(1) 90 mJ/cm<sup>2</sup> average UV Dose

(2) 25 mJ/cm<sup>2</sup> minimum UV Dose

### QUALITY STANDARDS

- BS EN ISO 9001: 2008
- CE approval
- NVI approved

### MATERIALS

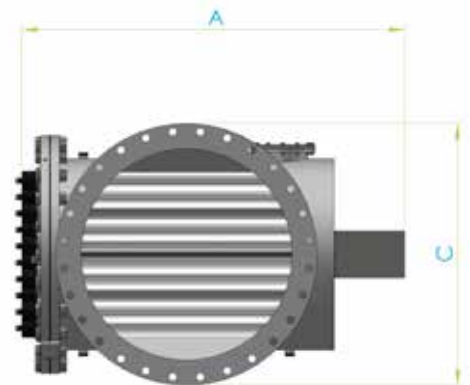
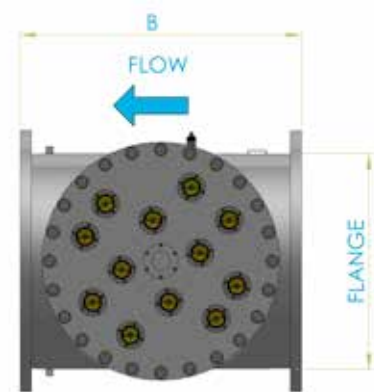
- Reactor Vessel: 316L electro-polished stainless steel
- Flanges: 316L electro-polished STST EN1092 PN10 / ANSI 150RF
- Lamp: high purity quartz
- Thimble: high purity quartz
- Panel: IP54 polyester coated mild steel

### OPTIONS

- IP panel rating and materials
- 316L stainless steel ancillaries
- 316-304L stainless steel control panel
- no wiper

### REMOTE CONTROLS AND SIGNALS

- Automatic flow pacing (optional)
- SCADA communication capability
- Real-time UV dose display
- inputs: water flow (4-20mA / ethernet), UV transmittance
- outputs: UV intensity, system status, pre-alarm, system fault
- ethernet communications capability
- remote indications: lamp change required, low intensity, remote on, fault, lamps on, detailed alarm code (ethernet only)
- lamp power control: ethernet, auto, manual



### CONTACT

SUEZ Purification & Disinfection Systems Ltd  
 Unit 14 Langlands Place, East Kilbride G75 0YF  
 Scotland, United Kingdom  
 Tel: + 44 (0) 13 55 220 598  
 Fax: + 44 (0) 13 55 570 058  
[www.triogen.com](http://www.triogen.com)  
[info@triogen.com](mailto:info@triogen.com)

Your local distributor: