

triogen[®] UV SLP offers a compact and high efficiency disinfection system for aquaculture and water feature applications with a range of flowrates for exceptional reliability and ease of operation. These systems provide advanced lamp and vessel efficiency with a range of options, including energy saving features, for disinfection and improved water quality.

APPLICATIONS

- Aquariums
- Aquaculture
- Water features

BENEFITS

- Safely lower free chlorine residual with effective disinfection including chlorine resistant micro-organisms
- Improves algae control
- Savings in water, energy and chemical consumption
- Low capital and installation costs with minimal service and plant room space required
- Simple control logic/easy to operate
- Low service requirements

MAIN FEATURES

- High intensity long life low pressure 16,000 hour UV lamps
- 316L stainless steel electro polished vessel
- High germicidal efficiency "L" design reactor (in-line water inlet)
- Designed under DVGW Standard (selected models)
- Advanced lamp efficiency and automatic dose pacing options
- Automatic "Smartdrive" wiper system and UV monitor
- Data logging, BMS, ethernet and modbus communication ready
- CE certified, manufactured to ISO 9001:2008
- Models available with reduced feature options

UV TECHNOLOGY

Low pressure ultraviolet light (UV) is highly effective at inactivating bacteria and viruses, as well as enhanced algae control. Ultraviolet disinfection consists of a physical, chemical-free process, attacking the vital DNA of the bacteria and micro organisms directly, including examples such as parasites, Cryptosporidium or Giardia, which are extremely resistant to chemical disinfectants. UV is recommended as a complementary protection against such chlorine resistant organisms, therefore for applications such as pools small background level of disinfectant should always be maintained. UV treatment is compatible with all other sanitisers, including chlorine, bromine, active oxygen, peroxide and copper based compounds, and allows for the levels of these to be significantly reduced.



TECHNICAL DATA MODEL ^(**)	Flow Rates ⁽¹⁾		Flow Rates ⁽²⁾		Lamp Power kW	Supply Rating ^(*) V/ph/Hz	Inlet/outlet Connections ^{**} mm/inches	Maintenance Area mm (LxWxH)	Control Panel Dimensions mm (LxWxH)
	m ³ /h	US gpm	m ³ /h	US gpm					
SLP150-75-1	25	110	20	88	0.2	220-240/ 1/50-60	80/3	3100x225x425	400x200x600
SLP250-100-2	60	264	53	233	0.4		100/4	1900x375x425	400x200x600
SLP200-100-3	90	396	64	282	0.6		100/4	3100x275x425	600x200x600
SLP250-150-4	140	616	99	436	1		150/6	3300x375x425	600x200x600
SLP250-200-6	200	880	145	638	1.2		200/8	3300x375x425	600x200x600
SLP300-200-8	290	1277	205	902	1.6		200/8	3300x425x500	800x200x800
SLP350-250-10	380	1673	260	1145	2		250/10	3300x475x600	800x200x800
SLP350-300-12	460	2025	321	1413	2.4		300/12	3300x475x600	800x200x800
SLP400-350-14	600	2642	404	1779	3		300/12	3300x525x600	800x200x800
SLP600-400-20	940	4139	655	2884	4		400/16	4320x730x900	1000x200x800

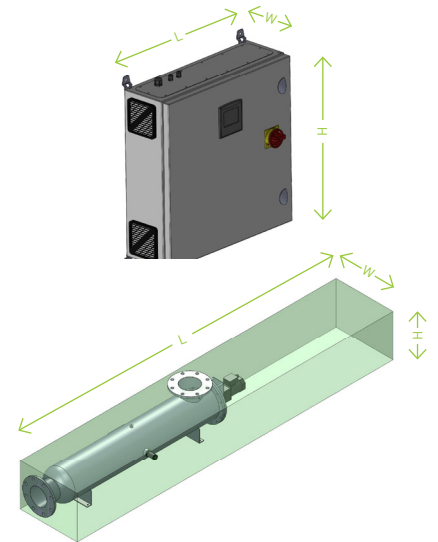
(1) flow rates based on a dose of 40mJ/cm² at 95% UVT end of lamp life 16000 hours based on max 3 on/off cycles per day

(2) flow rates based on a dose of 40mJ/cm² at 90% UVT end of lamp life 16000 hours based on max 3 on/off cycles per day

(*) Voltage requirements must be confirmed at order

(#) UV intensity in mJ/cm² requires a 4-20mA signal from a water flowrate measuring device (not supplied)

(**) other sizes are available



QUALITY STANDARDS

- CE Approved
- ISO 9001:2008

MATERIALS

- Reactor Material: 316L stainless steel
- Flanges: 316L stainless steel BS PN10, ANSI 150
- Panel Material: mild steel polyester powder coated
- Lamp: high purity quartz
- Thimble: high purity quartz

REMOTE CONTROL AND ALARMS

- BMS Connectivity with data logging
- Local and remote: UV lamp on/off, UV fault, UV intensity (0-10V 4-20mA)^(#) Panel High Temperature, Reactor High Temperature, MCB1 (RCD) trip, Wiper motor MCB trip, Remote control on/off, Low power on, Lamp change Required
- Local: Manual wipe, auto wipe, hours ran, languages Spare Parts
- Technical Support

OPTIONS

- Manual wiper (up to 4 lamps only), No wiper
- Stainless steel control panel
- Vertical mounting
- 316L stainless steel ancillaries
- IP65 control panel

CONTACT

SUEZ Purification & Disinfection Systems Ltd
Unit 14 Langlands Place, East Kilbride G75 0YF
Scotland, United Kingdom
Tel: + 44 (0) 13 55 220 598
Fax: + 44 (0) 13 55 570 058
www.triogen.com
info@triogen.com

Your local distributor: